

# 5MP WDR Starlight (Motorized) VF Eyeball Network IR Camera

IPC3635ER3-DUPZ



## Key Features

### Optics

- Starlight illumination
- Day/night functionality
- Optical glass window with higher light transmittance
- IR anti-reflection window to increase the infrared transmittance
- Smart IR, up to 30m (98ft) IR distance
- 2D/3D DNR (Digital Noise Reduction)
- Built-in motorized lens for remote zoom

### Compression

- Ultra 265, H.264, MJPEG
- Triple streams
- 9:16 corridor mode

### Network

- ONVIF Conformance

### Structure

- Support PoE power supply
- Wide temperature range: -40°C ~ 60°C (-40°F ~ 140°F)
- Wide voltage range of ±25%

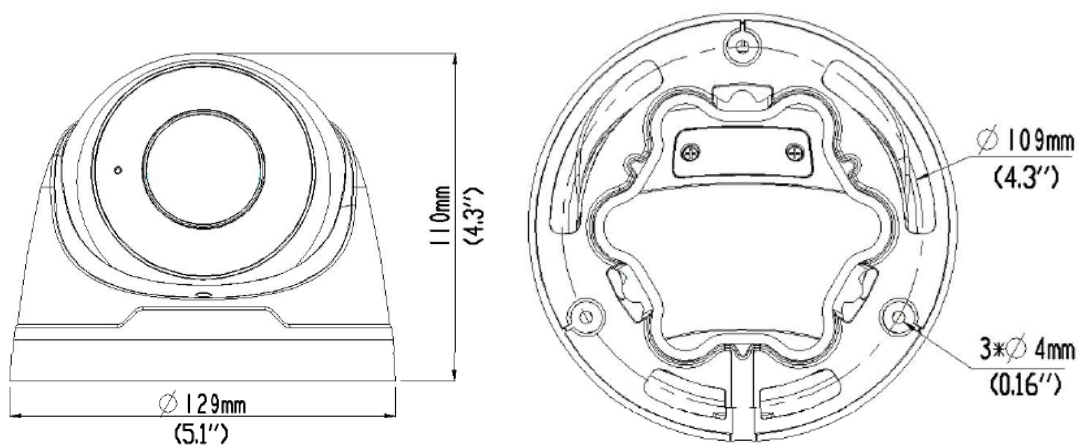
- IP67
- 3-Axis

## Specifications

IPC3635ER3-DUPZ					
<b>Camera</b>					
Sensor	1/2.7", 5.0 megapixel, progressive scan, CMOS				
Lens	2.7 ~ 13.5mm, AF automatic focusing and motorized zoom lens				
DORI Distance	Lens (mm)	Detect (m)	Observe (m)	Recognize (m)	Identify (m)
	2.7	60.8	24.3	12.2	6.1
	13.5	303.8	121.5	60.8	30.4
Angle of view (H)	93.38° ~ 28.56°				
Angle of View (V)	88° ~ 16.4°				
Angle of View (O)	121.4° ~ 33.7°				
Adjustment angle	Pan: 0° ~ 360°		Tilt: 0° ~ 90°		Rotate: 0° ~ 360°
Shutter	Auto/Manual, shutter time: 1 ~ 1/100000s				
Minimum Illumination	Colour: 0.002Lux (F1.2, AGC ON) 0Lux with IR				
Day/Night	IR-cut filter with auto switch (ICR)				
Digital noise reduction	2D/3D DNR				
S/N	>52dB				
IR Range	Up to 30m (98ft) IR range				
Defog	Digital Defog				
WDR	120dB				
<b>Video</b>					
Video Compression	Ultra 265, H.264, MJPEG				
H.264 code profile	Baseline profile, Main Profile, High Profile				
Frame Rate	Main Stream: 5MP (2592*1944), Max 20fps; 5MP (2592*1944), Max 25fps (WDR OFF); 4MP (2560*1440), Max 30fps; 3MP (2048*1536), Max 30fps; 2MP (1920*1080), Max 30fps; Sub Stream: 2MP (1920*1080), Max 30fps; Third Stream: D1 (720*576), Max 30fps				
9:16 Corridor Format	Supported				
HLC	Supported				
BLC	Supported				
OSD	Up to 8 OSDs				
Privacy Mask	Up to 8 areas				
ROI	Up to 8 areas				
Motion Detection	Up to 4 areas				
<b>Audio</b>					
Audio Compression	G.711				
Suppression	Supported				
Sampling Rate	8KHZ				
<b>Storage</b>					

Edge Storage	Micro SD, up to 256GB
Network Storage	ANR
<b>Network</b>	
Protocols	IPv4, IGMP, ICMP, ARP, TCP, UDP, DHCP, PPPoE, RTP, RTSP, RTCP, DNS, DDNS, NTP, FTP, UPnP, HTTP, HTTPS, SMTP, 802.1x, SNMP, QoS
Compatible Integration	ONVIF (Profile S, Profile G, Profile T), API
<b>Interface</b>	
Network	1 RJ45 10M/100M Base-TX Ethernet
Built-in Mic	Supported
<b>General</b>	
Power	DC 12V±25%, PoE (IEEE 802.3af)
	Power consumption: Max 8.16W
Dimensions (Ø x H)	Ø129 x 110mm (Ø5.08" x 4.3")
Weight	0.82kg (1.8lb)
Working Environment	-40°C ~ 60°C (-40°F ~ 140°F), Humidity: ≤95% RH (non-condensing)
Ingress Protection	IP67
Reset Button	Supported

## Dimensions



### Zhejiang Uniview Technologies Co., Ltd.

Building No.10, Wanlun Science Park, Jiangling Road 88, Binjiang District, Hangzhou, Zhejiang, China (310051)

Email: [overseasbusiness@uniview.com](mailto:overseasbusiness@uniview.com); [globalsupport@uniview.com](mailto:globalsupport@uniview.com)

<http://www.uniview.com>

©2019 Zhejiang Uniview Technologies Co., Ltd. All rights reserved.

\*Product specifications and availability are subject to change without notice.